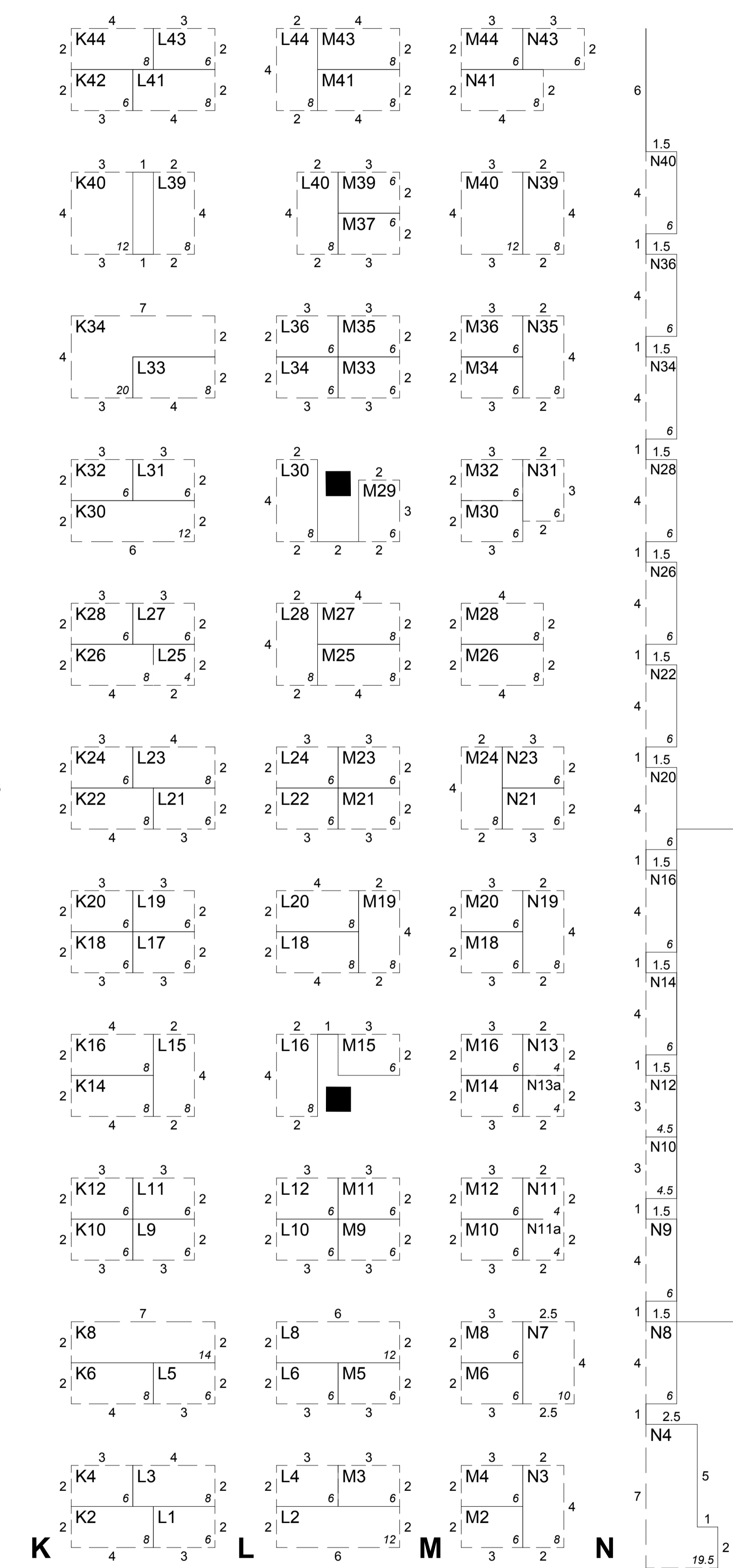
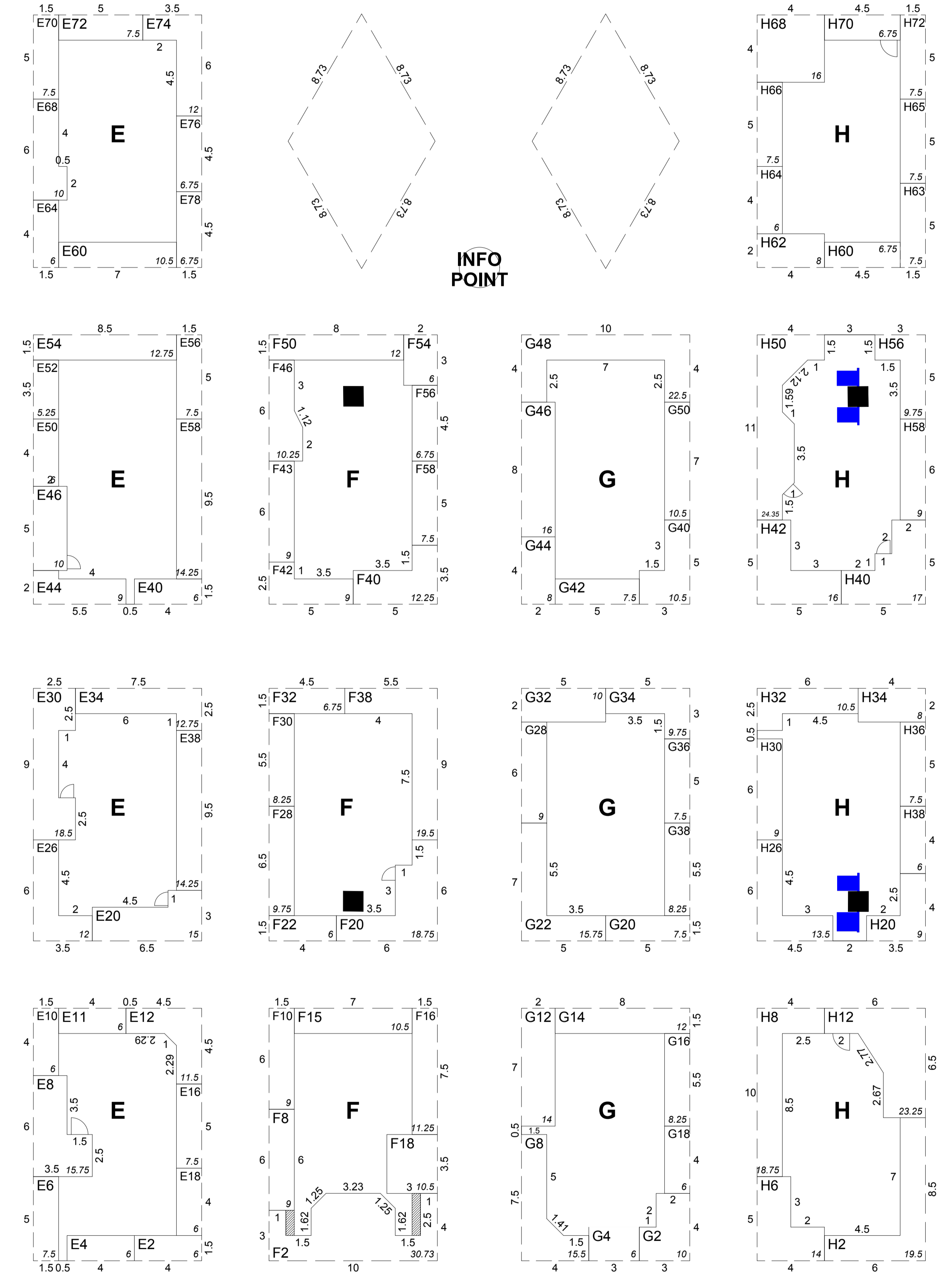
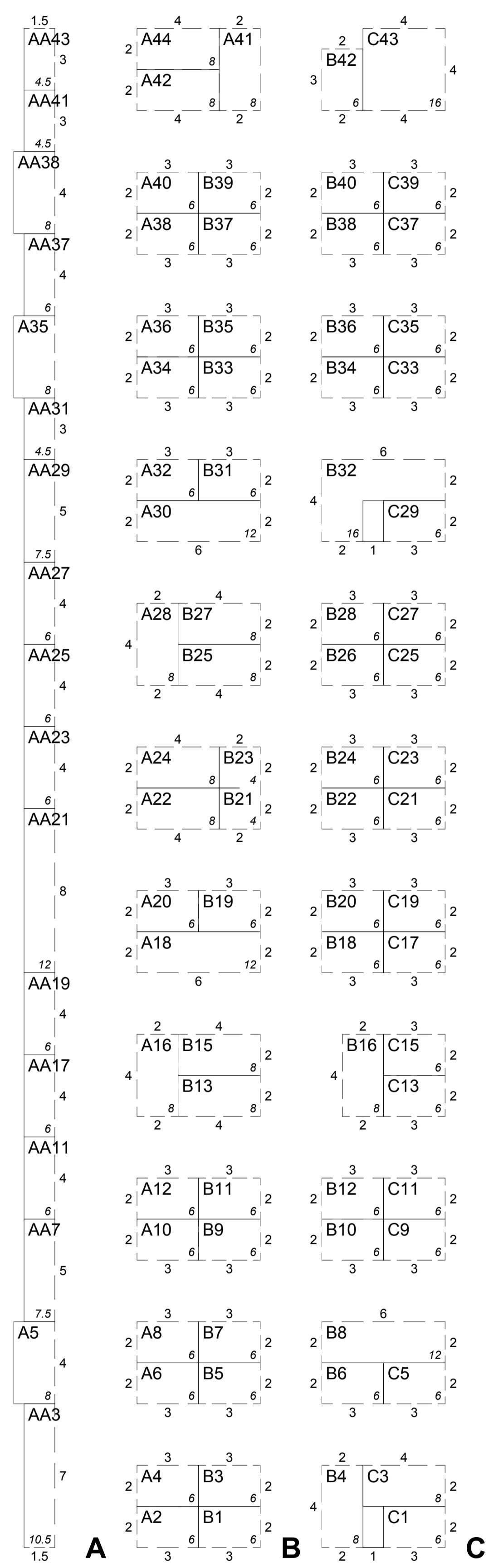
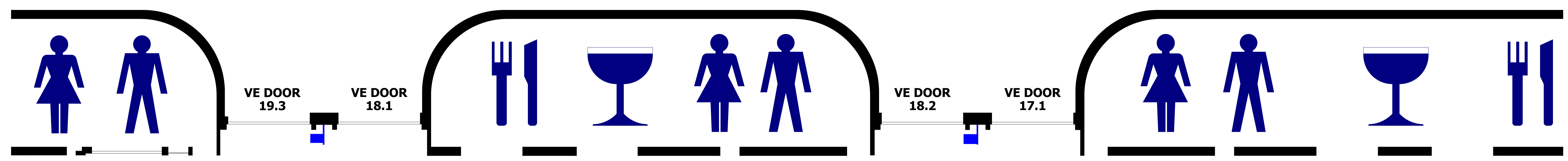


# HALL 19

# HALL 18

# HALL 17



**Winter Fair**  
**28th - 31st October 2010**  
**Halls 17-18-19, National Exhibition Centre, Birmingham**

↑  
**Main Entrance**



Organisers Office